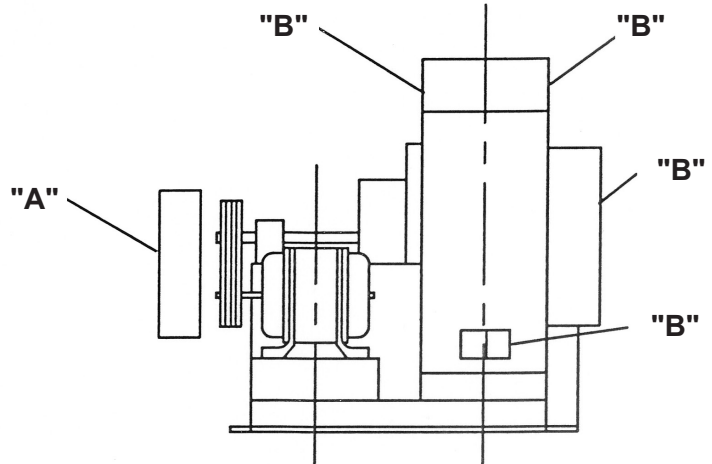
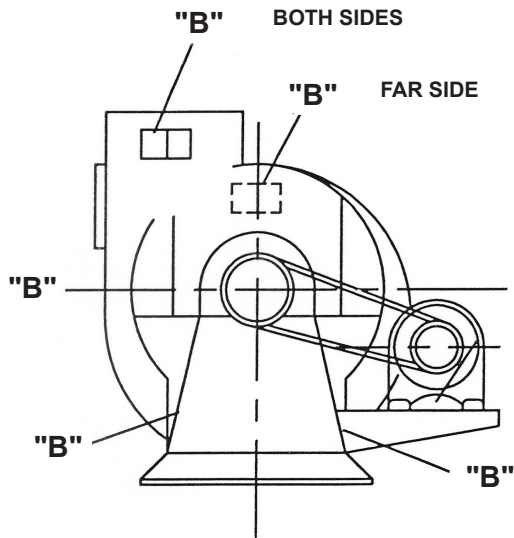


**CEMA Safety Labels Placement Guidelines**

**Product:** Pneumatic Conveyors

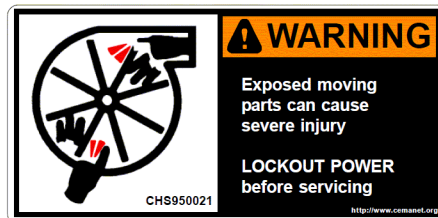
**Equipment:** Fans (PN-3)



**"A"**

(LOCATED ON BELT/CHAIN GUARD)

To be placed on removable guards to warn that operation of the machinery with guards removed would expose chains, belts, gears, shafts, pulleys, couplings, etc. which create hazards.



**"B"**

(LOCATE ON INSPECTION DOORS, ABOVE INLET, AND BOTH SIDES OF DISCHARGE)

To be placed on fans to warn that the equipment's exposed moving parts can create hazards to be avoided by locking out the equipment prior to servicing